



Centor Thai

"Your One Stop Global Seed Tech Shop"

RRC310 Manual Coater

Coating Equipment

Coating is all about more healthy seedlings per acre per kg of seed planted – for more yield from thicker, healthier stands.

RRC310 Manual Coater is designed for an easy and completely manual and also designed for coating seeds in small quantity. It is suitable for vegetable seeds and or all field crop seeds to do coating trials or coating for commercial. The machines can be also perfectly adapted for pelleting and or encrusting seeds. Its capacity depend on various protocols and size volume of seeds.

We also have semi-automatic and full automation of this coater size available.

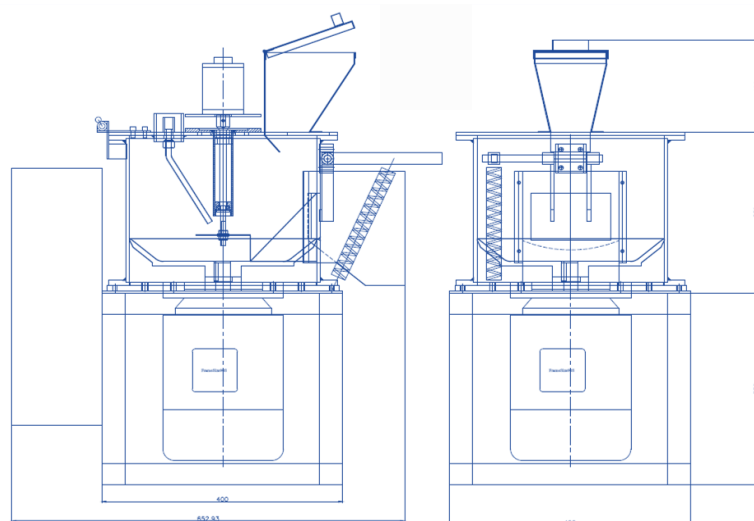


Option

- Adding peristaltic pump for more precise dosing is possible
- Adding air compressor for film coating or pelleting seeds
- Adding the RFBD continues seed drying machine after coating is possible
- Adding the powder feeder for pelleting/encrusting is possible
- Adaptation to other power supplies for different countries are possible

Features and Benefits

- Suitable for all vegetable seeds and all field crops
- Specially designed for amount of seed coating from 200 – 2,000 g/batch* depending on bulk density
- Seed coater machine is used for film coating/treating larger quantities of seeds by manually.
- The seed coater are coated/treated very accurate dosing of seed coating, dressing homogeneous distribution, high coverage and very good uniformly in every batch.
- Perfect for coating, pelleting and encrusting seeds
- Easy to use/operate and maintenance
- The best quality/price ratio



Technical Data

Mixing system	Rotor-Stator-Principle	
Treatment distribution	Liquid by spinning disk, directly (manually) – powder directly (manually)	
Batch quantity	0.2 - 2 kg	
Max. Capacity/Hour	110 - 250 kg/hour	
Compressed air requirement	6 - 8 bar	
Dimensions	580 mm (w) x 610 mm (l) x 800 mm (h)	
Mixing chamber	310 mm (Ø) x 263 mm (h)	
Total Weight	95 Kg.	
Peristaltic pump	Optional	
Power supply	Rotary disk	750 W, 220 VAC 50 Hz
	Spinning disk	100 W, 24 VDC
	Total power consumption	800 W 220 VAC 1 Phase
	Adaptation to other power supplies are possible	